

# Year 3 – Bright Sparks



## Science

Links to 6 Full Power

How is electricity produced?



What do I need to make a circuit work?

### Electrical conductor



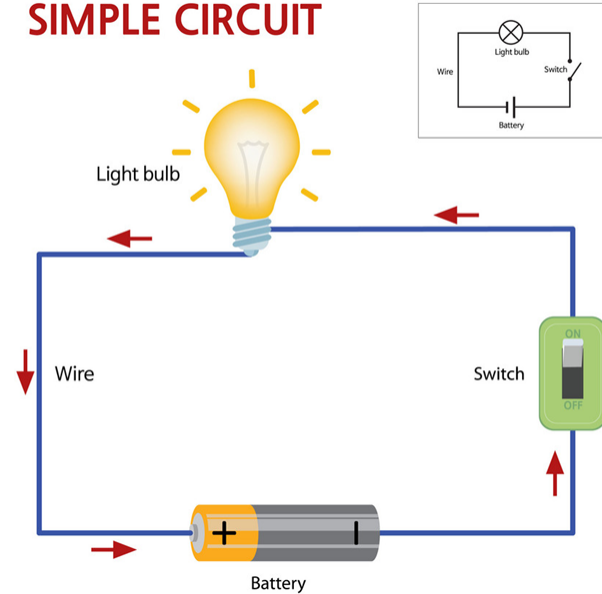
How can I use my knowledge of circuits to plan a model of my house? What materials and techniques do I need to produce my plan?



What materials make good conductors?

How do I represent a circuit on paper?

### SIMPLE CIRCUIT



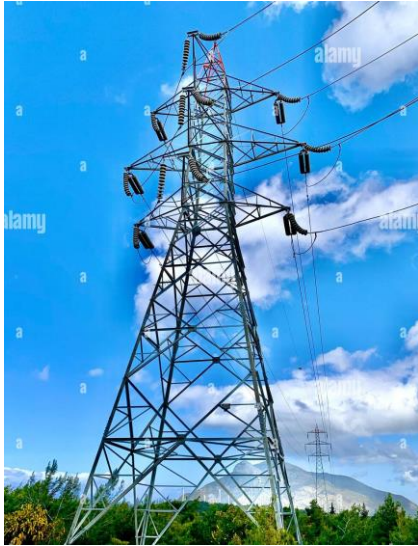
How does changing one variable affect a circuit?

What is an electromagnet?



How do I build a circuit using an electromagnet?





Health and Wellbeing:  
Keeping safe round electricity.  
Affordable electricity for all.



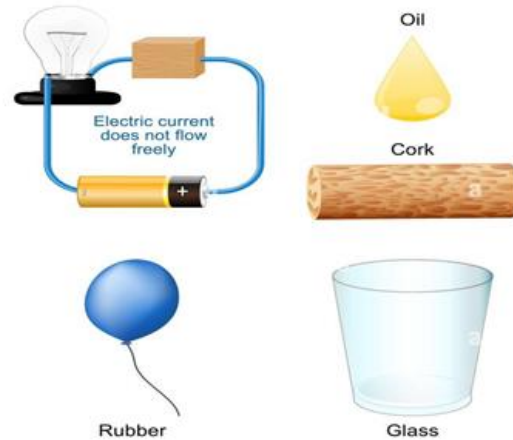
Geography: The different ways electricity is generated.



crocodile clip

buzzer

Electrical insulator



DT: How to make a model with light and sound.



battery

cell

Eco: How we (and others) can save electricity.

Science:  
How to make different electrical circuits  
Materials that conduct electricity  
How to build more complex circuits  
Using electricity to make a magnet.

**Key Vocabulary**

- Coal
- Coil
- Electron
- Flow
- Gas
- Nuclear Energy
- Nuclear Fuel
- Press Switch
- Terminal
- Toggle Switch
- Wind Turbine

